

- Domestic hot water supply tank with internal heat exchanger exclusively stainless steel, material 1.4571/1.4404 pickled and neutralized.
- All Rp-connections are inside thread according to EN 10226.
- All G-connections are outside thread according to DIN ISO 228.
- The 100 mm-thick flexible ULIES insulation ensures economical operation by minimizing heat loss. (The insulation casing of the tanks can easily be unmounted and re-mounted. They are made with cleanable casing, polystyrene cover, in silver colour and specifically to fit the parameters of the tanks.)
- Reserves the right to make technical changes without notice!

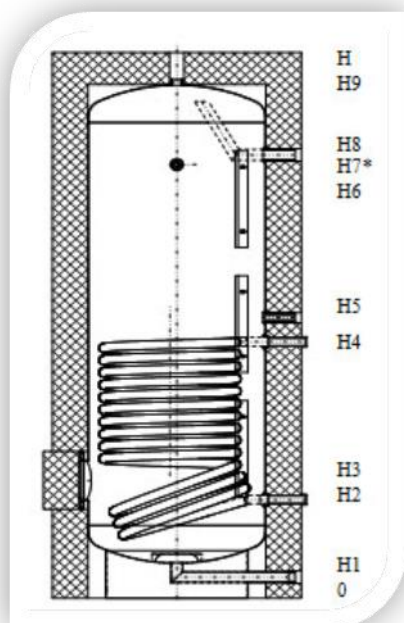
Measurements from 150 liter to 1000 liter

dimensions in mm

capacity (l)	150	200	300	400	500	600	750	1000	1000/ D850
H1	65	65	65	70	70	70	80	90	80
H2	260	305	305	330	330	330	380	405	395
H3	340	365	365	390	390	390	440	465	455
H4	685	605	795	890	890	890	940	1005	995
H5	760	685	870	975	975	975	1025	1140	1090
H6	1100	1115	1345	1375	1430	1430	1480	1725	1500
H7	1130	1145	1375	1420	1670	1670	1720	1995	1710
H8	1315	1362	1612	1657	1907	1909	1988	2276	2022
H	1396	1445	1695	1740	1990	1992	2073	2360	2106
D1 diameter	400	500	500	600	600	650	750	800	850
D2 insulated diameter	600	700	700	800	800	850	950	1000	1050
weight (kg)	35	43	68	72	78	96	125	146	147

connections

capacity (l)	150	200	300	400	500	600	750	1000	1000/ D850
H3	120/180	120/180	120/180	120/180	120/180	120/180	120/180	120/180	120/180
H1, H7	Rp 1"	Rp 1"	Rp 1"	Rp 1"	Rp 1"	Rp 1"	Rp 1 1/2"	Rp 1 1/2"	Rp 1 1/2"
H5	Rp 3/4"	Rp 3/4"	Rp 3/4"	Rp 3/4"	Rp 3/4"	Rp 3/4"	Rp 3/4"	Rp 3/4"	Rp 3/4"
H6	Rp 1/2"	Rp 1/2"	Rp 1/2"	Rp 1/2"	Rp 1/2"	Rp 1/2"	Rp 1/2"	Rp 1/2"	Rp 1/2"
H8	Rp 1"	Rp 1"	Rp 1"	Rp 1"	Rp 1"	Rp 1"	Rp 1"	Rp 1"	Rp 1"
H2, H4	G 1"	G 1"	G 1 1/4"	G 1 1/2"	G 1 1/2"	G 1 1/2"	G 1 1/2"	G 1 1/2"	G 1 1/2"
thermostat guide	3x300	3x300	3x300	3x300	3x300	3x300	3x300	3x300	3x300
heating surface (m ²)	0,9	0,9	1,4	1,8	1,8	1,8	2,4	2,8	2,8
tube diameter (mm)	18,0	18,0	26,9	33,7	33,7	33,7	33,7	33,7	33,7



- Domestic hot water supply tank with internal heat exchanger exclusively stainless steel, material 1.4571/1.4404 pickled and neutralized.
- All Rp-connections are inside thread according to EN 10226.
- All G-connections are outside thread according to DIN ISO 228.
- The 100 mm-thick flexible ULIES insulation ensures economical operation by minimizing heat loss. (The insulation casing of the tanks can easily be unmounted and re-mounted. They are made with cleanable casing, polystyrene cover, in silver colour and specifically to fit the parameters of the tanks.)
- Reserves the right to make technical changes without notice!

Measurements from 1250 liter to 5000 liter

dimensions in mm

capacity (l)	1250	1500	2000	2500	3000	4000	5000
H1	90	90	90	90	110	115	115
H2	510	510	510	630	600	660	660
H3	550	550	550	710	750	810	810
H4	970	1180	1180	1180	1250	1360	1510
H5	1070	1410	1410	1300	1450	1510	1710
H6	1420	1535	1560	2200	2025	2260	2700
* H7	1510	1560	1785	2200	-	-	-
H8	1560	1810	2060	2560	2350	2660	3160
H9	1900	2150	2425	2921	2741	3080	3580
H	1980	2230	2505	3005	2826	3165	3665
D1 diameter	1000	1000	1100	1100	1300	1400	1400
D2 insulated diameter	1200	1200	1300	1300	1500	1600	1600
weight (kg)	204	230	280	320	485	580	665

connections

capacity (l)	1250	1500	2000	2500	3000	4000	5000
H3, H7*	120/180	120/180	120/180	120/180	400/480	400/480	400/480
H1, H8	Rp 2"	Rp 2"	Rp 2"	Rp 2"	DN65	DN65	DN65
H5	Rp 3/4"	Rp 3/4"	Rp 3/4"	Rp 3/4"	Rp 1"	Rp 1"	Rp 1"
H6	Rp 1/2"	Rp 1/2"	Rp 1/2"	Rp 1/2"	Rp 1/2"	Rp 1/2"	Rp 1/2"
H9	Rp 1"	Rp 1"	Rp 1"	Rp 1"	Rp 1"	Rp 1"	Rp 1"
H2, H4	G 1 1/2"	G 1 1/2"	G 1 1/2"	G 1 1/2"	G 1 1/2"	G 1 1/2"	G 1 1/2"
thermostat guide	3x300	3x300	3x300	3x300	3x300	3x300	3x300
heating surface (m ²)	2,8	3,2	3,2	3,2	3,3	4,0	5,2
tube diameter (mm)	33,7	33,7	33,7	33,7	33,7	33,7	33,7

* From 1250 to 2000 liter tanks have two inspection flanges (120/180mm).